

# General Notes

## General Wiring Diagram GlobalCruise System - Corrected

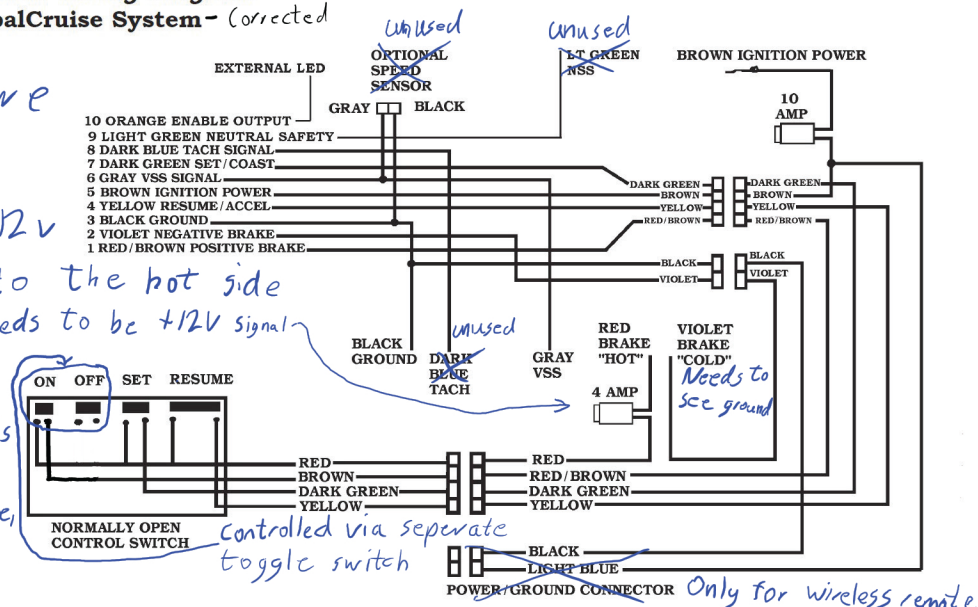
1. S2000 Cruise button are "Normally open"

2. The Red wire carries +12v

a. Rostra specifies to tap into the hot side of the brake circuit. Just needs to be +12V signal

3. The Dark Green and Yellow wires are pulled high to +12v when a button is pressed.

If both Set and Resume buttons are pressed at once, the Rostra unit does nothing



## S2000 Cruise Buttons Brake Regen Mod

Design Objective: When both buttons are pressed the brake circuit will be closed. This will have two effects.

1. Momentary Press: This will cause the Rostra Cruise Control to disengage.
2. Press and Hold: The car will believe the brake pedal is being pressed and will engage full regen.

